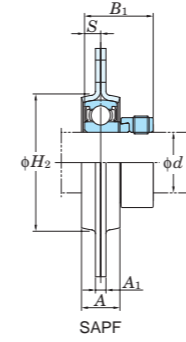
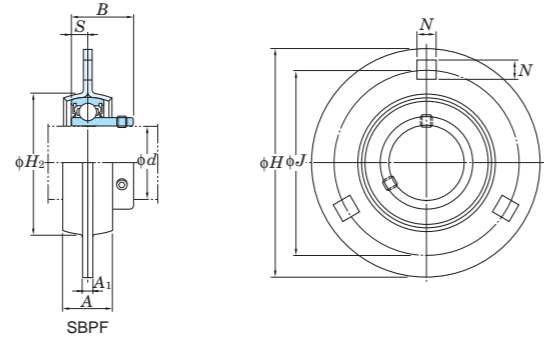
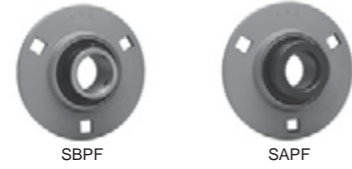


**SBPF**  
Cylindrical bore  
(with set screw locking)  
**SAPF**  
Cylindrical bore  
(with eccentric locking collar)  
*d* 12 ~ 35 mm



Variations of tolerance of distance between centers of bolt holes ( $\Delta L_n$ )

Housing No.	$\Delta L_n$
PF203-PF207	$\pm 0.4$

Unit: mm

Variations of tolerance of bolt hole diameter ( $\Delta N_n$ )

Housing No.	$\Delta N_n$
PF203-PF207	$\pm 0.25$

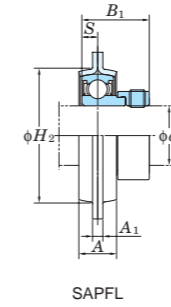
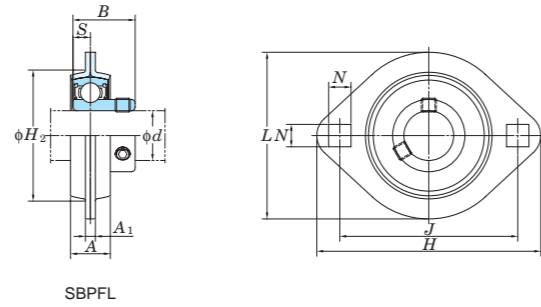
Unit: mm

Shaft Dia mm inch	Dimensions inch mm								SBPF <i>B</i>	SAPF <i>B</i> <sub>1</sub>	Bolt Size inch mm	Unit No.	Bearing No.	Unit No.	Bearing No.	Housing No.	Basic Load Ratings kN		Factor <i>f</i> <sub>0</sub>	Mass kg	
	<i>d</i>	<i>H</i>	<i>A</i>	<i>A</i> <sub>1</sub>	<i>J</i>	<i>N</i>	<i>H</i> <sub>2</sub>	<i>S</i>									<i>C</i> <sub>r</sub>	<i>C</i> <sub>0r</sub>		SBPF	SAPF
12 1/2	3 3/16	9/16	5/32	2 1/2	9/32	1 15/16	0.236	0.866	1.122	1/4	SBPF201 SBPF201-8 SBPF202 SBPF202-10 SBPF203	SB201 SB201-8 SB202 SB202-10 SB203	SAPF201 SAPF201-8 SAPF202 SAPF202-10 SAPF203	SA201 SA201-8 SA202 SA202-10 SA203	PF203	9.55	4.80	13.2	0.27	0.3	
15 5/8	3 17/32	5/8	5/32	2 13/16	23/64	25/32	0.276	0.984	1.161	5/16	SBPF204-12 SBPF204	SB204-12 SB204	SAPF204-12 SAPF204	SA204-12 SA204	PF204	12.8	6.65	13.2	0.33	0.33	
17	3 3/4	23/32	5/32	2 63/64	23/64	2 3/8	0.295	1.063	1.201	5/16	SBPF205-14 SBPF205-15 SBPF205 SBPF205-16	SB205-14 SB205-15 SB205 SB205-16	SAPF205-14 SAPF205-15 SAPF205 SAPF205-16	SA205-14 SA205-15 SA205 SA205-16	PF205	14.0	7.85	13.9	0.38	0.42	
20 3/4	4 7/16	3/4	13/64	3 9/16	7/16	2 25/32	0.315	1.181	1.335	3/8	SBPF206-18 SBPF206 SBPF206-19 SBPF206-20	SB206-18 SB206 SB206-19 SB206-20	SAPF206-18 SAPF206 SAPF206-19 SAPF206-20	SA206-18 SA206 SA206-19 SA206-20	PF206	19.5	11.3	13.9	0.62	0.65	
25 7/8 15/16	4 13/16	7/8	13/64	3 15/16	7/16	3 3/16	0.335	1.260	1.437	3/8	SBPF207-20 SBPF207-22 SBPF207 SBPF207-23	SB207-20 SB207-22 SB207 SB207-23	SAPF207-20 SAPF207-21 SAPF207-22 SAPF207 SAPF207-23	SA207-20 SA207-21 SA207-22 SA207 SA207-23	PF207	25.7	15.4	13.9	0.82	0.9	
30 1 1/8 13/16 1 1/4	4 13/16	7/8	13/64	3 15/16	7/16	3 3/16	0.335	1.260	1.437	3/8	SBPF207-20 SBPF207-22 SBPF207 SBPF207-23	SB207-20 SB207-22 SB207 SB207-23	SAPF207-20 SAPF207-21 SAPF207-22 SAPF207 SAPF207-23	SA207-20 SA207-21 SA207-22 SA207 SA207-23	PF207	25.7	15.4	13.9	0.82	0.9	
35 1 1/4 15/16 1 3/8 1 7/16	4 13/16	7/8	13/64	3 15/16	7/16	3 3/16	0.335	1.260	1.437	3/8	SBPF207-20 SBPF207-22 SBPF207 SBPF207-23	SB207-20 SB207-22 SB207 SB207-23	SAPF207-20 SAPF207-21 SAPF207-22 SAPF207 SAPF207-23	SA207-20 SA207-21 SA207-22 SA207 SA207-23	PF207	25.7	15.4	13.9	0.82	0.9	

Note 1) *H*<sub>2</sub> is the minimum size of the mounting hole.

Remark For the dimensions and forms of applicable bearings, see the dimensional tables of ball bearing for unit.

**SBPFL**  
Cylindrical bore  
(with set screw locking)  
**SAPFL**  
Cylindrical bore  
(with eccentric locking collar)  
 $d$  12 ~ 35 mm



Variations of tolerance of distance between centers of bolt holes ( $\Delta_{Ns}$ )  
Unit: mm

Housing No.	$\Delta_{Ns}$
PFL203-PFL207	$\pm 0.4$

Variations of tolerance of bolt hole diameter ( $\Delta_{Ns}$ )  
Unit: mm

Housing No.	$\Delta_{Ns}$
PFL203-PFL207	$\pm 0.25$

Shaft Dia mm inch	Dimensions inch mm										Bolt Size inch mm	Unit No.	Bearing No.	Unit No.	Bearing No.	Housing No.	Basic Load Ratings kN		Factor $f_0$	Mass kg	
	$d$	$H$	$L$	$A$	$A_1$	$J$	$N$	$H_2$	$S$	SBPFL $B$							SAPFL $B_1$	$C_r$		$C_{or}$	SBPFL
12 1/2	3 3/16	2 5/16	9/16	5/32	2 1/2	9/32	1 15/16	0.236	0.866	1.122	1/4	SBPFL201 SBPFL201-8 SBPFL202 SBPFL202-10 SBPFL203	SB201 SB201-8 SB202 SB202-10 SB203	SAPFL201 SAPFL201-8 SAPFL202 SAPFL202-10 SAPFL203	SA201 SA201-8 SA202 SA202-10 SA203	PFL203	9.55	4.80	13.2	0.19	0.22
15 5/8	3 17/32	2 5/8	5/8	5/32	2 13/16	23/64	25/32	0.276	0.984	1.161	5/16	SBPFL204-12 SBPFL204	SB204-12 SB204	SAPFL204-12 SAPFL204	SA204-12 SA204	PFL204	12.8	6.65	13.2	0.24	0.24
17	3 3/4	2 5/8	23/32	5/32	2 63/64	23/64	2 3/8	0.295	1.063	1.201	5/16	SBPFL205-14 SBPFL205-15 SBPFL205 SBPFL205-16	SB205-14 SB205-15 SB205 SB205-16	SAPFL205-14 SAPFL205-15 SAPFL205 SAPFL205-16	SA205-14 SA205-15 SA205 SA205-16	PFL205	14.0	7.85	13.9	0.28	0.32
20 3/4	4 7/16	3 5/16	3/4	13/64	3 9/16	7/16	2 25/32	0.315	1.181	1.335	3/8	SBPFL206-18 SBPFL206 SBPFL206-19 SBPFL206-20 SBPFL207-20	SB206-18 SB206 SB206-19 SB206-20 SB207-20	SAPFL206-18 SAPFL206 SAPFL206-19 SAPFL206-20 SAPFL207-20	SA206-18 SA206 SA206-19 SA206-20 SA207-20	PFL206	19.5	11.3	13.9	0.38	0.41
25 7/8 15/16	4 13/16	3 11/16	7/8	13/64	3 15/16	7/16	3 3/16	0.335	1.260	1.437	3/8	SBPFL207-22 SBPFL207 SBPFL207-23	SB207-22 SB207 SB207-23	SAPFL207-21 SAPFL207-22 SAPFL207 SAPFL207-23	SA207-21 SA207-22 SA207 SA207-23	PFL207	25.7	15.4	13.9	0.66	0.74

Note 1)  $H_2$  is the minimum size of the mounting hole.

Remark For the dimensions and forms of applicable bearings, see the dimensional tables of ball bearing for unit.